

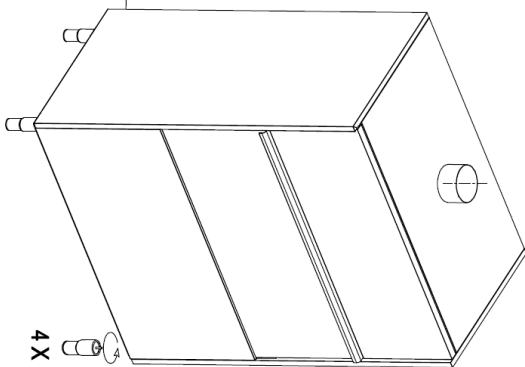
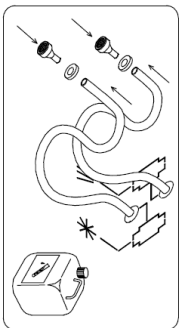
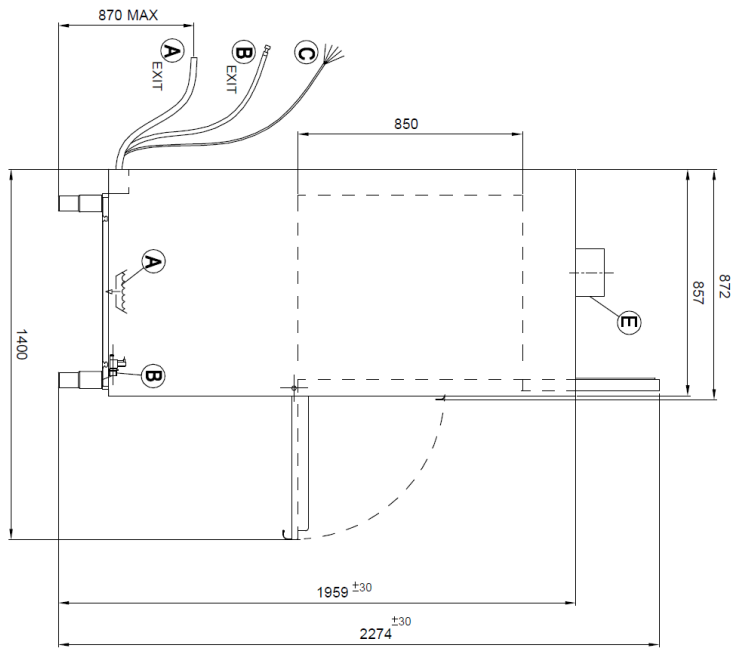
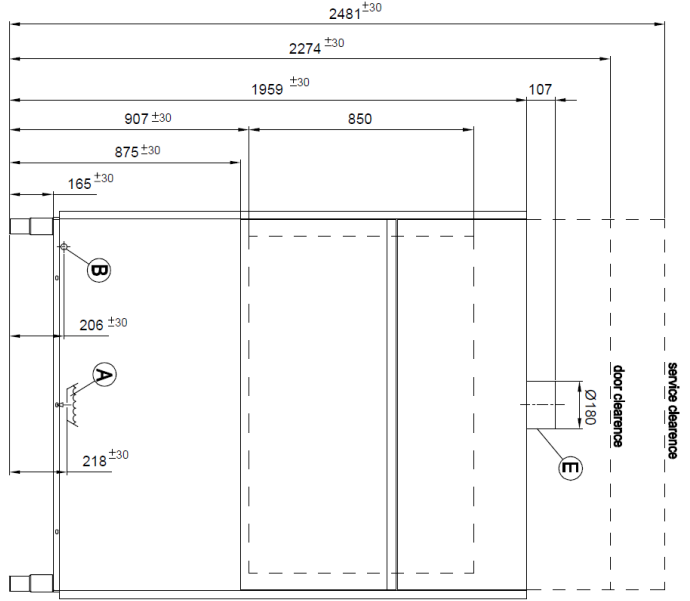
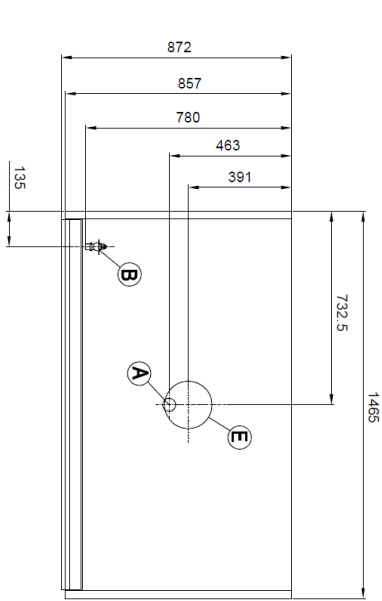


↘	<b>Model</b>	<b>EW3105</b>	
	<b>Code Production</b>	<b>LP713EWNZDD</b>	
	<b>Interface :</b>		

↕	<b>Overall Dimension (Width-Depth-Height) *open</b>	<i>mm</i>	1465x857(*1400)x1959(*2274)
	<b>Packaging Dimension (WxDxH)</b>	<i>mm</i>	1750x1100x2200
	<b>Gross weight</b>	<i>Kg</i>	317
	<b>Net weight</b>	<i>Kg</i>	301
	<b>Volume</b>	<i>mc</i>	3,85
□	<b>Rack size</b>	<i>mm</i>	1320x700
	<b>Max door /hood opening</b>	<i>mm</i>	850
	<b>Max glasses/plate Height</b>	<i>mm</i>	800
	<b>General construction</b>		double skin
	<b>Door/hood Construction</b>		double skin
↘	<b>Tank construction</b>		fully deep drawn
	<b>Tank volume</b>	<i>liter</i>	131
	<b>Tank heating element</b>	<i>W</i>	10.500
	<b>Tank surface strainers</b>		stainless steel
⚙️	<b>Wash pump type</b>		double flow
	<b>Wash pump power</b>	<i>W</i>	2 X 2.700
	<b>Wash temperature</b>	<i>°C</i>	60 (60-65)
↘	<b>Boiler type</b>		without pressure
	<b>Boiler volume</b>	<i>liter</i>	17
	<b>Back-flow system</b>		break tank
	<b>Boiler heating element</b>	<i>W</i>	10.500
⚙️	<b>Rinse booster pump</b>		yes
	<b>Rinse booster pump power</b>	<i>W</i>	200 x 2
	<b>Rinse temperature</b>	<i>°C</i>	80 (80-85)
	<b>Rinse water consumption</b>	<i>Liter /rack</i>	6
	<b>Optimal external water pressure</b>	<i>bar</i>	1 - 6
🌊	<b>Drain system</b>		deep drain
	<b>Drain pump</b>		standard built in
▶	<b>Rinse aid dispenser</b>		YES
	<b>Detergent dispenser</b>		YES
👤/👤	<b>Wash cycle</b>	<i>sec</i>	120 - 240 - 360 - 720
	<b>Self cleaning cycle</b>		YES
⚡	<b>Electric Power</b>	<i>W</i>	15.900
	<b>Electric Connection</b>	<i>V - ph - Hz</i>	400V 3N 50Hz
	<b>Fuse</b>	<i>A</i>	32
▶	<b>Steel generic basket</b>		43305
	<b>Electric cable</b>		YES
	<b>Drain hose</b>		YES
	<b>Fill hose "WaterMark"</b>		YES

A		50mm M	A EXIT		32 mm M
B		G 3/4" M	B EXIT		G 3/4" F
C		Power supply	E		Steam exhaust



Installation layout

Utensil washer , Drain Pump

Code: LP7SP 00

Designed by: M.PIERI

Date: 12.10.2018

Determination:

Rev.:

